

Thank you for choosing



Hud-Son Forest Equipment, Inc.
8201 State Rt. 12, PO Box 345 Barneveld, NY 13304
Fax: 315.896.2627 • e-mail: info@hud-son.com

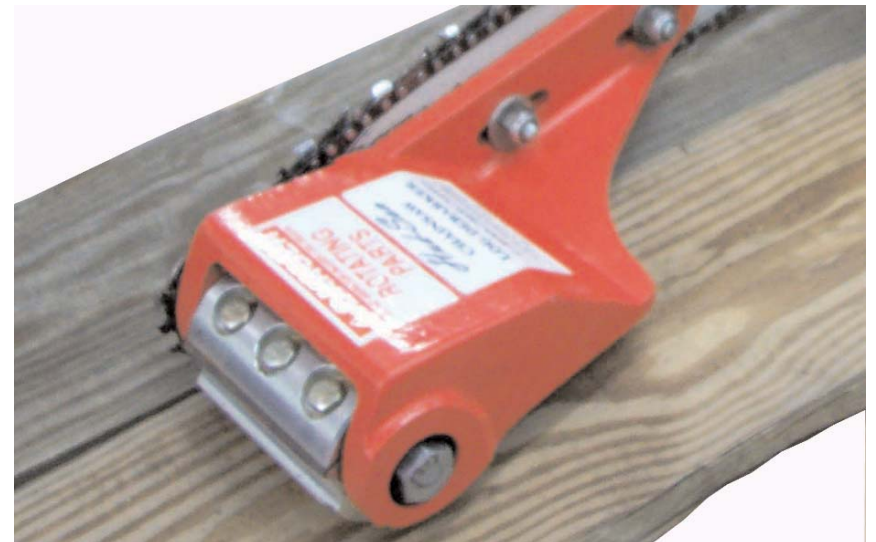
*We have an onsite technician available to answer any questions
Monday - Friday 8 to 4:30 and Saturday from 8 to noon. 315-896-7297.*

HUD-SON

FOREST EQUIPMENT

800-765-7297 • WWW.HUD-SON.COM

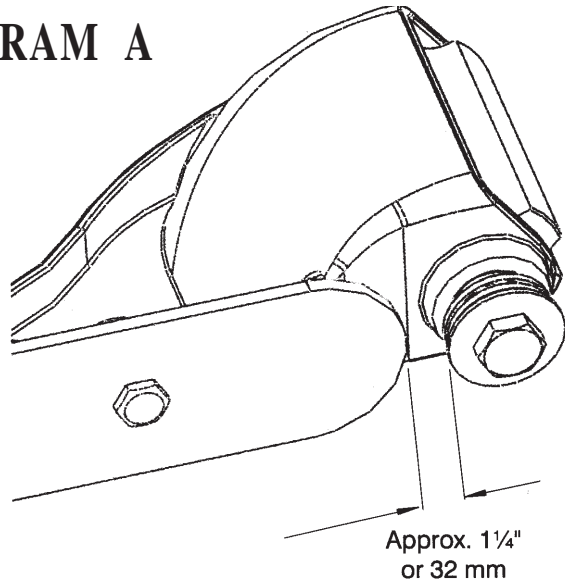
Chainsaw Log Debarker



INSTALLATION AND PARTS MANUAL

Assembled in USA by
HUD-SON FOREST EQUIPMENT
STATE ROUTE 12 BARNEVELD NY
800.765.SAW • WWW.HUD-SON.COM

DIAGRAM A



PARTS LISTS

	PART #	DESCRIPTION	QTY.
1	#976-021	DRUM	1
2	#976-022	FRAME	1
3	#976-024	SHORT STUD	1
4	#976-023	SPLINE ADAPTOR/LONG BOLT	1
5	#1900B	BLADE - SET OF 2	1
6	#WKA7S7	3/8" RIM SPROCKET	1
7	#WKJ7S7	.325 RIM SPROCKET	1
8	#33669	1/2" LOCK WASHER	1
9	#F-93372	1/2" FLAT WASHER	1
10	#6201-2RS	6201-2RS BEARING	2
11	#16003	1/4" BOLT	6
12	#12057	5/16" BOLT	2
13	#F-93391	5/16" FLAT WASHER	4
14	#33666	5/16" LOCK WASHER	2
15	#36303	5/16" NUT	2
16	#33617	1/4" LOCK WASHER	6

DIAGRAM B

