



[WWW.HUD-SON.COM](http://WWW.HUD-SON.COM)  
1-800-765-7297

# ATV SKIDDING ARCH

Made in USA

# INSTALLATION AND PARTS MANUAL

Manufactured in Barneveld, New York

Marketed by

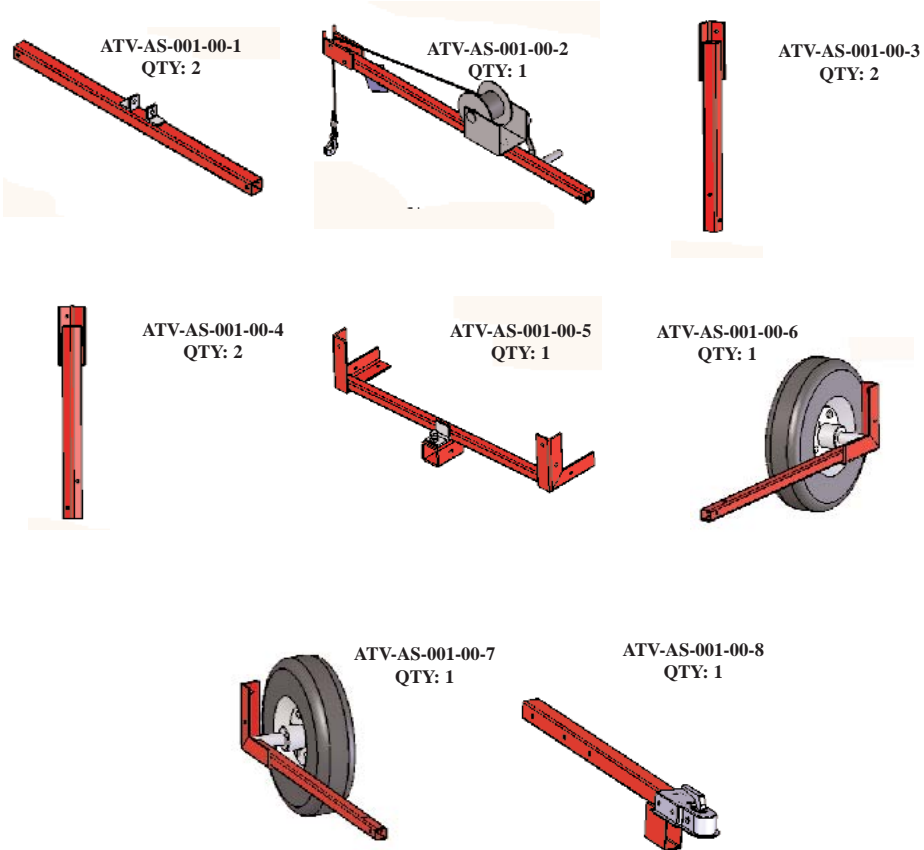
**HUD-SON FOREST EQUIPMENT**

STATE RT 12 BARNEVELD, NY

1-800-765-7297

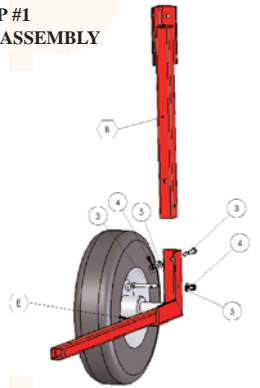
[WWW.HUD-SON.COM](http://WWW.HUD-SON.COM)



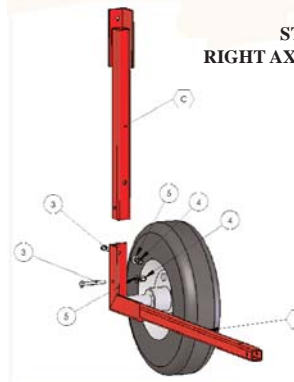


ITEM #	PART #	DESCRIPTION	WITH WOOD/QTY.
1	30020	TIRE AND HUB ASSEMBLY	2
2	0091060	COUPLER	1
3	17113	3/8" X2.5" BOLT	16
4	1137124	3/8" NYLOCK	16
5	1133082	3/8" FLAT WASHER	16
6	36310	1/2" NUT	4
7	JDHNY-2	5/16" X 48" CHAIN	1
8	13216	1/2" X 3.25" BOLT	2
9	976-004	CABLE PULLEY	1
10	11330012	1/2" FLAT WASHER	3
11	11330086	1/2" FLAT WASHER	3
12	30905	WINCH ASSEMBLY	1
13	110120384	1/2 X 2.5" BOLT	1
14	110120388	1/2 X 3.5" BOLT	1

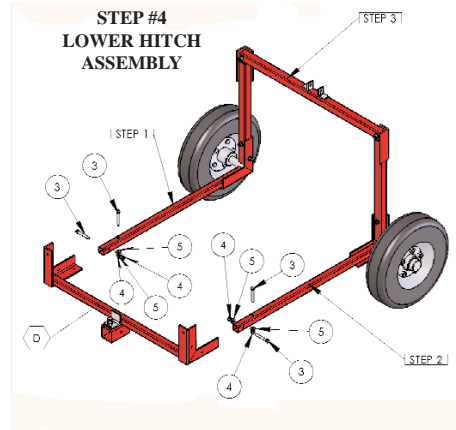
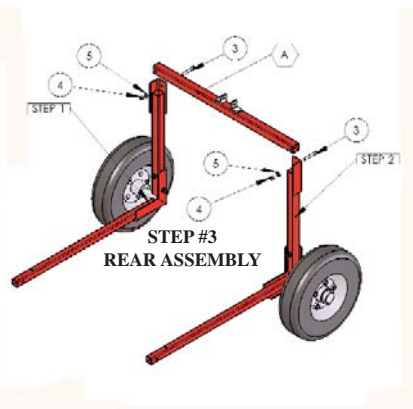
**STEP #1  
LEFT AXLE ASSEMBLY**



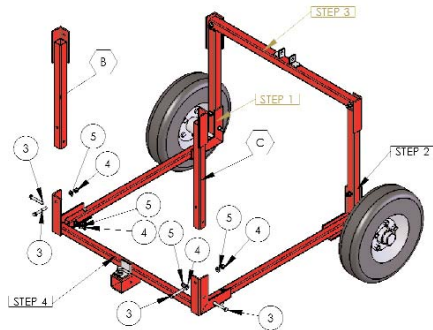
**STEP #2  
RIGHT AXLE ASSEMBLY**



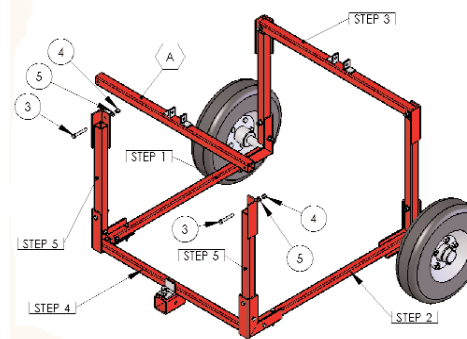
**\*KEEP ALL BOLTS LOOSE WHEN ASSEMBLING**



**STEP #5  
FRONT CORNER ASSEMBLY**

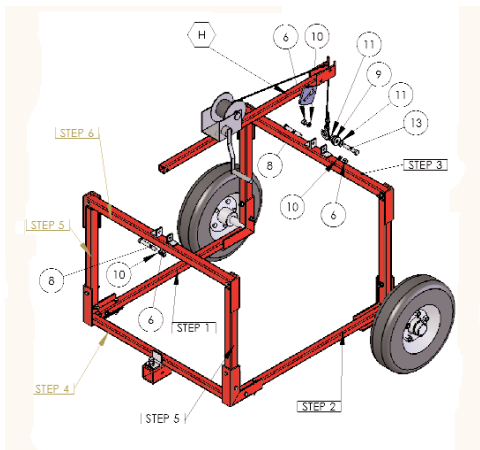


**STEP #6  
FRONT TOP BAR ASSEMBLY**

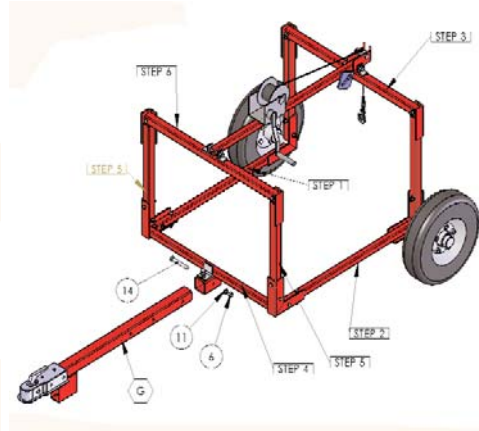


# ALWAYS USE CAUTION WHEN OPERATING ANY PIECE OF MACHINERY INSTALLATION INSTRUCTIONS

**STEP #7  
WINCH TOP RAIL ASSEMBLY**



**STEP #8  
HITCH BAR ASSEMBLY**



**FINISHED ATV SKIDDING ARCH**

**\* TIGHTEN DOWN ALL BOLTS**

